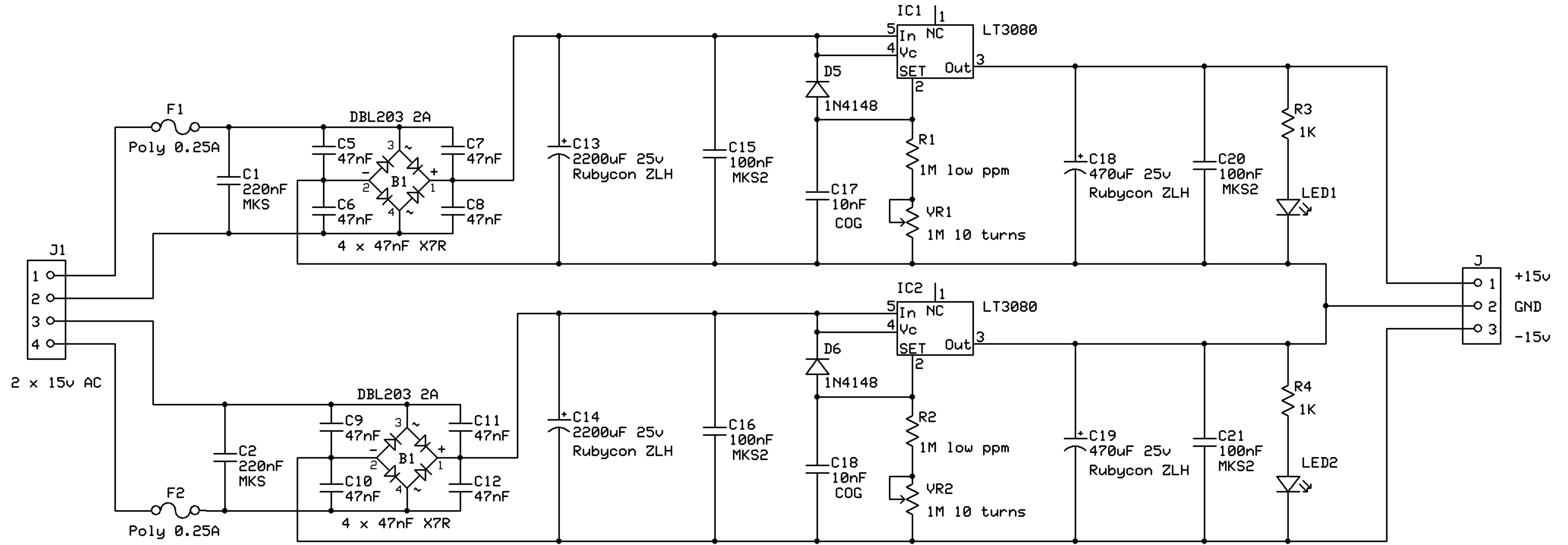


PSU needed to be loaded or the LT3080 will not start.



+/-15v PSU using LT3080

PCB guideline : wire SET pins according to datasheet

stef1777

Rev 1.0

02/02/2008