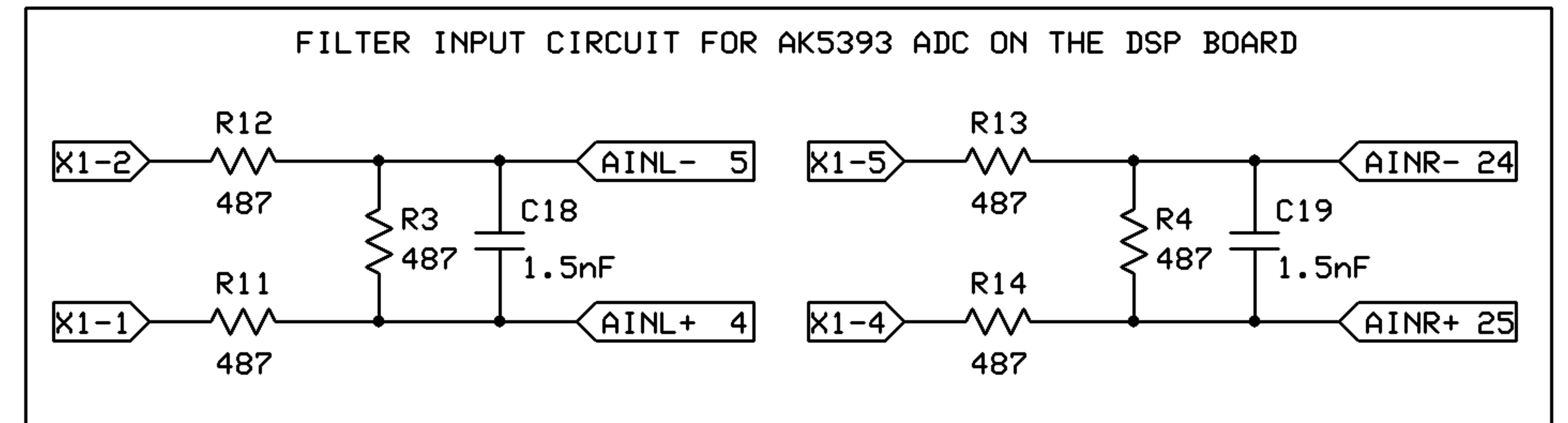
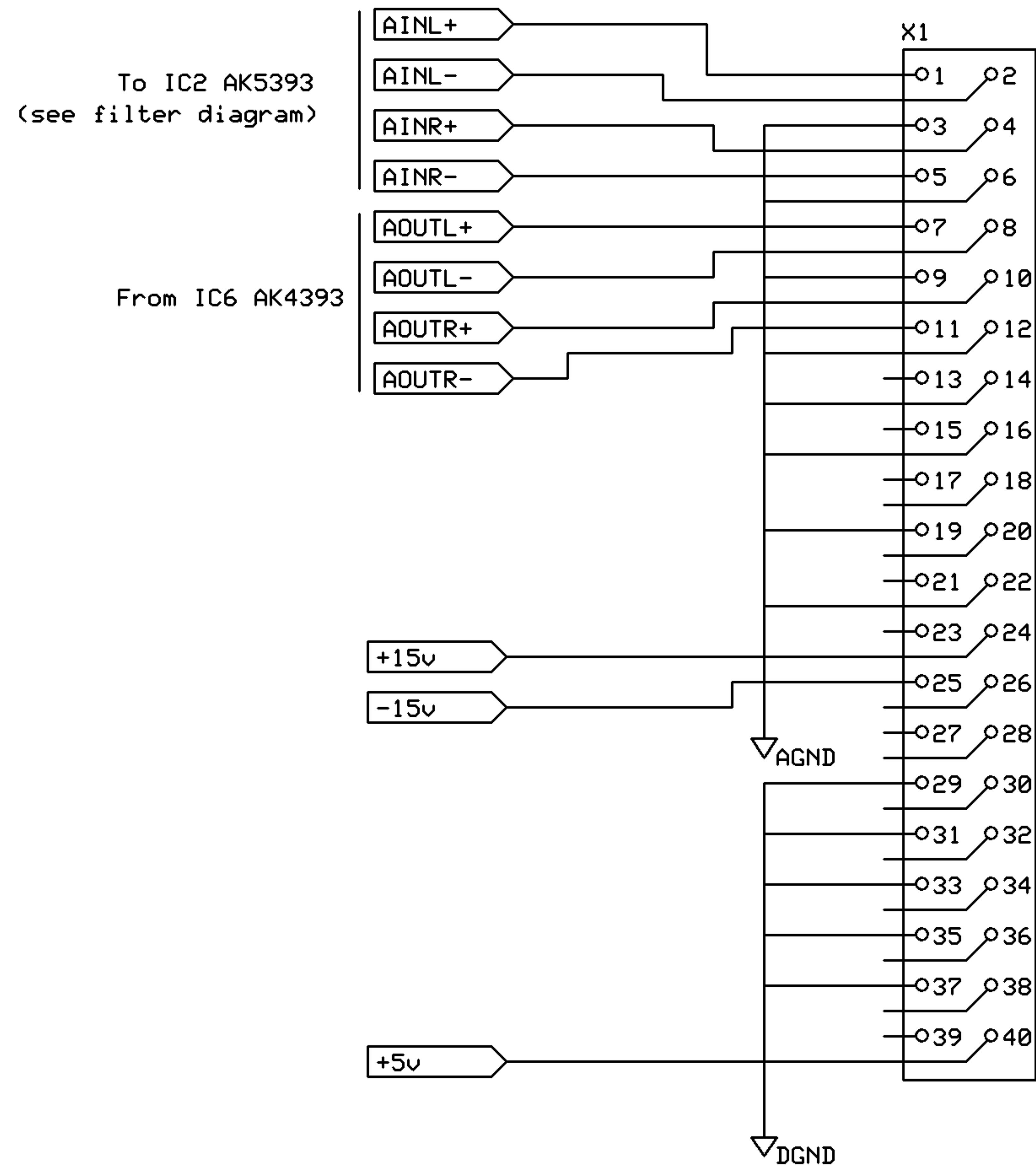


X1 connector on DSP board



DEQ2496v1 Connectors